



Examination Light

Super Exam LED

A combination of flexible drift-free positioning, excellent light output and LED energy-saving technology.



PHILIPS
burton

Examination Light

Super Exam LED

User-friendly and exceptional performance.

Delivering superior illumination to a focused area, Philips Burton's Super Exam LED light is ideal for general examination.

Usability

- Flexible and precise covered spring-balanced arm is easy to position exactly where light is required
- The power and dimming switch is positioned near the handle for one-handed operation
- Easy access handle designed for quick positioning

Performance

- High performing energy efficient LED components are virtually maintenance free
- Recessed LED light source to reduce glare
- Fully dimmable for the perfect amount of light
- Industry leading 5-year warranty
- Night light, low light output mode to prevent disturbing patients

Construction

- SteriTouch® coating inhibits the growth of bacteria
- Powder-coated metal construction for durability
- Light source covered with tempered glass
- Smooth surface design for easy wipe down with hospital-grade disinfectants

Floor and Table



Horizontal Movement

(left): Designed for maximum movement in the horizontal plane. Typical applications: Floorstand, table mounted.

Vertical Movement

(right): More vertical movement than arms found on large examination lights. The arm will always tilt forward to avoid collisions with the wall. Typical applications: Wall mounted, ceiling mounted.

Wall and Ceiling





Drift-free K-arm provides better positioning than goosenecks and is easier to clean

Table Mount Model



Floorstand



Ceiling Mount



Wall Mount

All models are sold complete with light and arm system. (Product images not to scale.)

Ordering Information

SUPER EXAM LED

120V Model	Description
SELEDFL	Floorstand Model
SELEDC	Ceiling Mount Model
SELEDT	Table Mount Model
SELEDW	Wall Mount Model

Note: This product is NOT available in Norway, Sweden, Finland, Denmark, Estonia, Russia, Germany, UK, Ireland, Australia, Spain, the Netherlands or Iceland.



Intuitive and ergonomic

The power and dimming switch is positioned near the handle for one-handed operation.



Dimming feature

The power button also serves as a dimming switch.



SteriTouch® antimicrobial powder coating

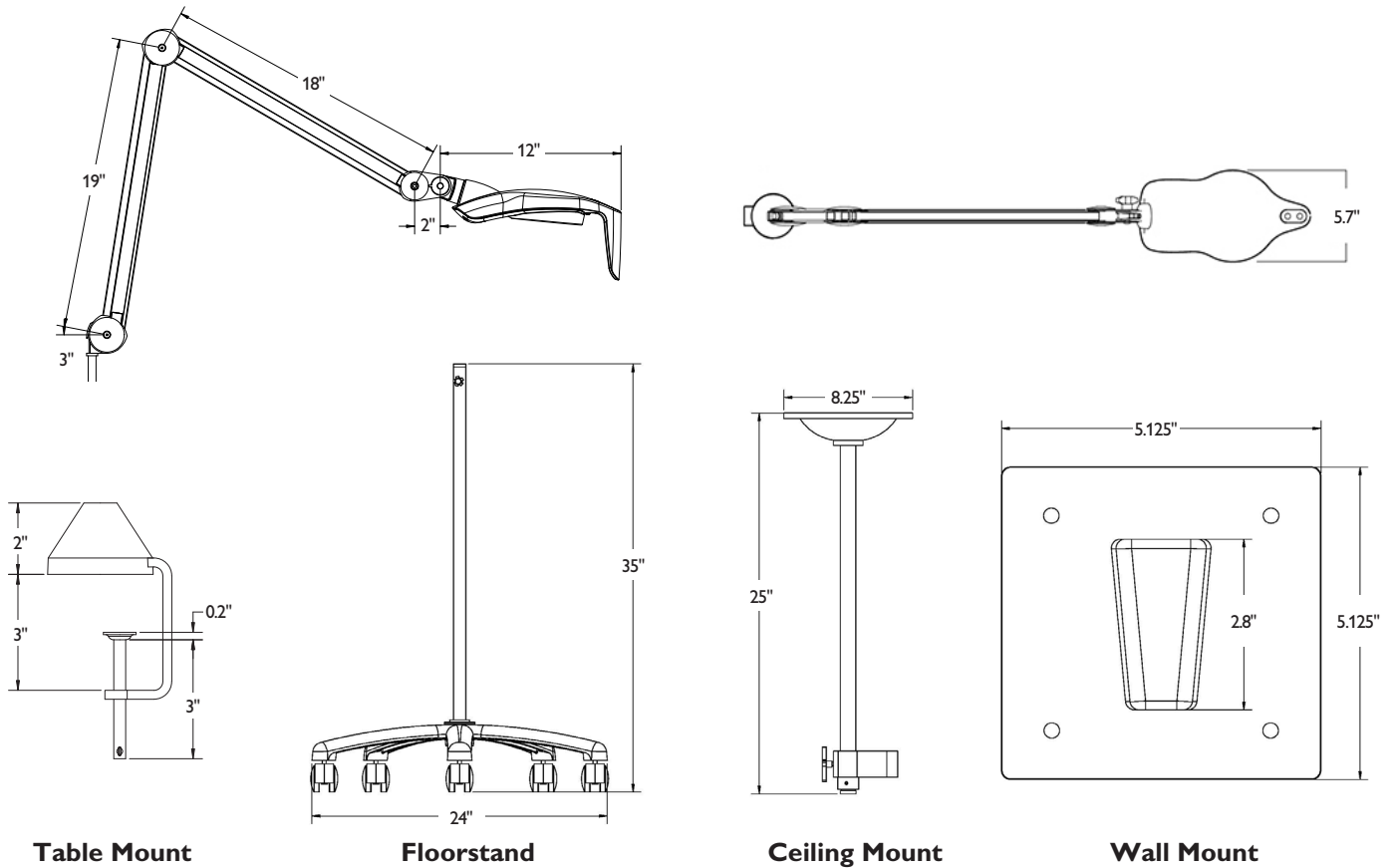
Prevents the growth of bacteria, biofilm and mold continuously throughout the product's lifetime.



Extremely energy efficient

Super Exam LED features a long lasting, energy-efficient LED light source with an incredible lifespan of 50,000 hours or more.

Super Exam LED product dimensions



Summary of technical data

SUPER EXAM LED

Illuminance:	35,000 lux (3251 fc) at 39.37" (1 m) ¹
Color temperature:	4000 K ¹
CRI	>95 ¹
Light sources:	Light Emitting Diode, minimum 50,000-hour rated life
Power:	20 Watts
Mounting options:	Single Ceiling, Table, Floor and Wall
Applications:	General examination ²
Certifications/Approvals:	ES 60601-1, IEC 60601-2-41, -1-6, EN 60601-1-2, CAN/CSA C22.2 NO. 60601-1
Product warranty:	5-year parts

Note: ¹ The optical data are nominal values based on measurements calculated according to UL/IEC performance standards
² For 120V application only

© 2016 Koninklijke Philips N.V. All rights reserved.
 Philips reserves the right to make changes in specifications and/or to discontinue any product at any time without notice or obligation and will not be liable for any consequences resulting from the use of this publication.
 SteriTouch® is a registered trademark of SteriTouch, Ltd.



Philips Burton
 11500 Melrose Avenue
 Franklin Park, IL 60131
 Burtonmedical.com

PHILIPS
burton

Phone (800) 444-9909, Fax (800) 765-1770

LIT-0101 Rev 01